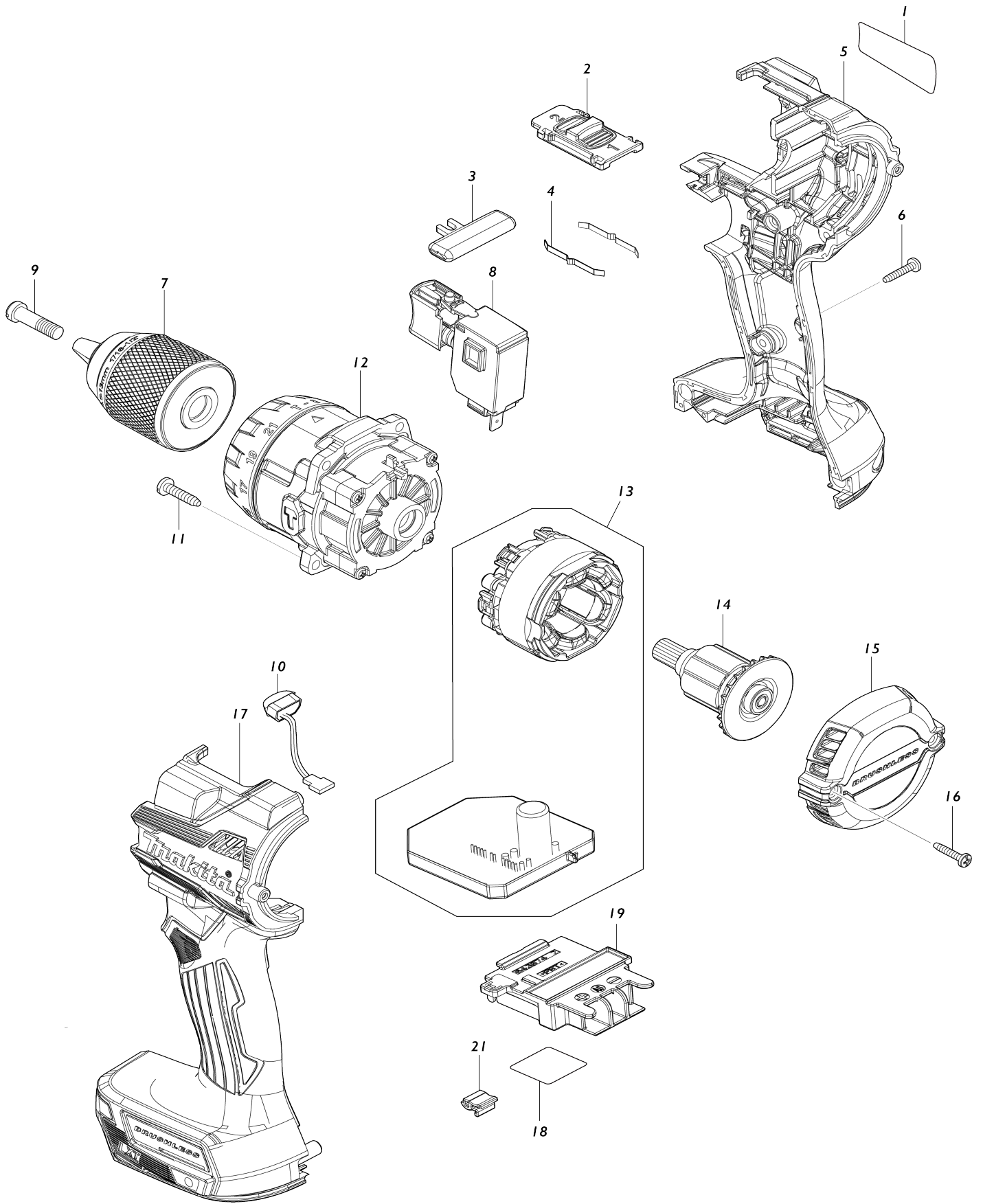


Model No.DHP489 CORDLESS HAMMER DRIVER DRILL



Model No.DHP489 CORDLESS HAMMER DRIVER DRILL

Item No.	Parts No.	Description	Interchangability	Q'ty	New/Old
001	8585E1-5	DHP489 NAME PLATE		1	
002	127494-5	SPEED CHANGE LEVER ASSEMBLY		1	
C10	233438-6	COMPRESSION SPRING 4		2	
003	419041-9	F/R CHANGE LEVER		1	
004	232220-0	LEAF SPRING		2	
005	183X19-9	HOUSING SET		1	
C10	263005-3	RUBBER PIN 6		2	
C20	252126-6	HEX. LOCK NUT M4-7		2	
005		INC. 17			
006	266130-9	TAPPING SCREW BIND PT 3X16		7	
007	763261-0	KEYLESS DRILL CHUCK 13		1	
008	650710-5	SWITCH C3JW-4B		1	
009	251468-5	- FLAT HEAD SCREW M6X22		1	
010	620549-0	LED CIRCUIT		1	
011	266326-2	TAPPING SCREW 4X18		4	
012	122D65-7	GEAR ASSEMBLY		1	
013	629B98-6	STATOR COMPLETE		1	
014	619797-6	ROTOR		1	
015	413N80-5	REAR COVER		1	
016	266130-9	TAPPING SCREW BIND PT 3X16		2	
017	183X19-9	HOUSING SET		1	
C10	263005-3	RUBBER PIN 6		2	
C20	252126-6	HEX. LOCK NUT M4-7		2	
017		INC. 5			
018	8585E9-9	DHP489 SERIAL NO. LABEL		1	
019	643874-2	TERMINAL		1	
021	424517-3	CUSHION		1	
A01	251314-2	+ TRUSS HEAD SCREW M4X12		1	
A02	346317-0	HOOK		1	
A03	784637-8	+ - BIT 2-45		1	
A04	821550-0	CONNECTOR PLASTIC CASE (TYPE 2)		1	
C10	453974-8	LATCH		4	
A05	8064L4-6	DHP489RTJ PLASTIC CASE LABEL		2	
A06	837916-4	INNER TRAY		1	
A07	450128-8	BATTERY COVER		1	
A08	***DC18RC	DC18RC FAST CHARGER		1	
A08		COMPO-PARTS			
A09	197280-8	BATTERY BL1850B SET		2	
A10	8064L3-8	DHP489RTJ INDICATION LABEL		1	
F01	1912A4-3	GRIP ASSEMBLY SET		1	